

DESIGN FEATURES:

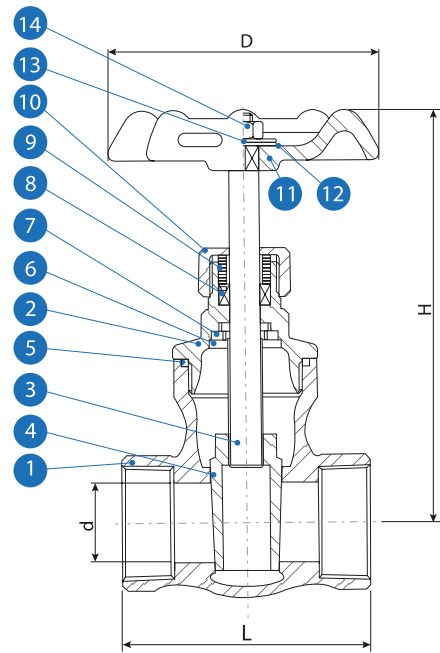
Pressure rating: 200 PSIG (non-shock)
Steam rating: 150 PSI WSP
Investment cast body & bonnet
Solid wedge disc
Threaded end NPT ANSI/ASME B1.20.1
Test standard: API 598

* Reference photo



MATERIAL LIST

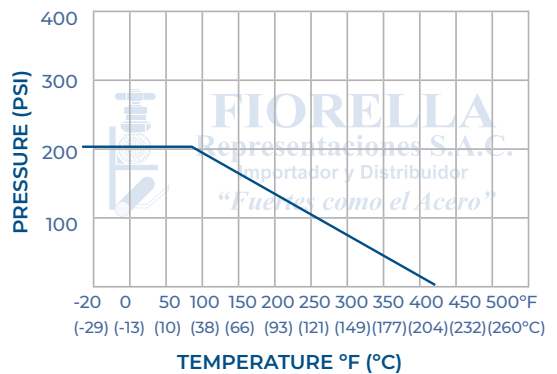
	PART NAME	MATERIAL	QTY.
1	BODY	ASTM A351 Gr. CF8M	1
2	BONNET	ASTM A351 Gr. CF8M	1
3	STEM	ASTM A276 Gr. 316	1
4	DISC	ASTM A351 Gr. CF8M	1
5	GASKET	PTFE	1
6	STOP RING	SS304	1
7	STEM HOLDER	SS316	1
8	STEM PACKING	PTFE	1
9	GLAND	SS304	1
10	GLAND NUT	SS316	1
11	HANDLEWHEEL	SS400	1
12	NAME PLATE	ALUMINUM	1
13	HANDLEWHEEL WASHER	SS304	1
14	HANDLEWHEEL NUT	SS304	1



DIMENSIONS (mm)

SIZE	D	L	H	D	CV FACTOR	WEIGHT (Kg)
1/2"	16.1	57.0	98.6	70.0	19	0.52
3/4"	20.3	60.5	103.0	70.0	37	0.63
1"	26.0	67.0	115.0	76.5	64	0.81
1 1/4"	31.8	76.0	128.0	76.5	103	1.18
1 1/2"	40.0	87.0	173.0	103.5	143	2.0
2"	50.3	95.0	189.0	121.0	360	2.82
2 1/2"	61.9	116.0	260.0	/	/	4.60
3"	75.9	131.0	294.9	/	/	6.70

PRESSURE TEMPERATURE RATINGS



Fiorella Representaciones S.A.C. Importador y distribuidor autorizado de válvulas SUN en territorio latinoamericano.

* Note : Dimensions, design and materials are subject to change without notice.

MAC - MMXXI